



Tech ID: 07-0001

Contact:

Dr. Rick Swatloski  
Director - OTT  
(205) 348-8583  
RPSwatloski@ua.edu

Status:

Seeking R&D and/or  
licensing partner  
  
Patent Pending

Inventor Bio:

Dr. Shuhui Li  
Associate Professor  
Electrical and Computer  
Engineering Department  
University of Alabama

Center for Advanced Vehicle  
Technologies

20 Publications

5 Patent Applications

# Converter Control for Wind Turbines

## Methods and system for a control approach

- Novel algorithm that improves stability for wind turbine power generators
- Intelligent control approach for power converter control in variable-speed wind turbines

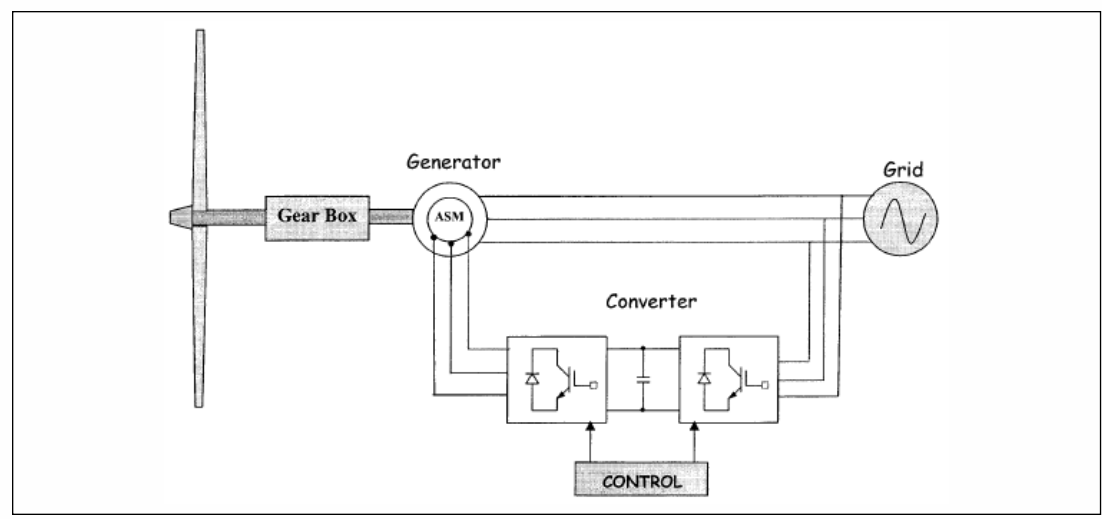


Fig 2. Illustrates an embodiment of a variable-speed doubly-fed induction generator wind turbine

## Advantages

- Maintains DC link voltage at a constant set value under variable system conditions
- Ensures converter operating within an optimal power factor range
- Improving maximum power capture capability of variable-speed wind turbines
- Improving Electric Power system stability and reliability

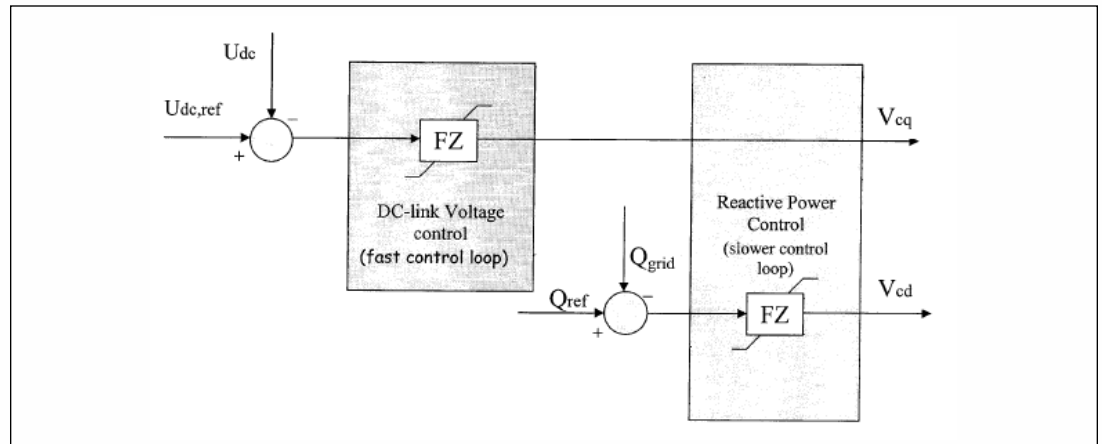


Fig 2. Illustrates an embodiment of a grid-side converter controller in variable-speed wind turbine generators according to the present invention

[For More Information, Click to View YouTube Pitch](#)

THE UNIVERSITY OF  
ALABAMA



@uatechtransfer

