



Closed Loop Controlled Power Converter

Auto Closed-Loop-Controller Design Method with Improved Dynamic Performance

- Single phase DC-DC buck power converter with a type III closed loop compensator design
- Method to better gauge necessary setup for converter
- Auto-design and auto-tune digital controller loop

Tech ID: 09-0032

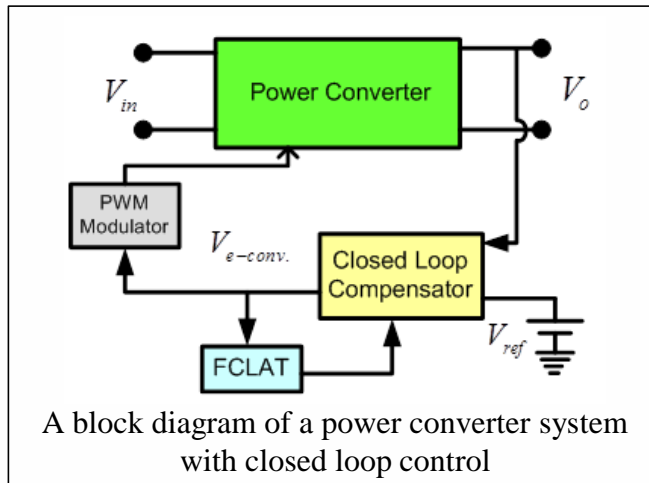
Contact:

Dr. Rick Swatloski
 Director - OTT
 (205) 348-8583
 RPSwatloski@ua.edu

Status:

Seeking R&D and/or
 licensing partner

Patent Pending



Inventor Bio:

Dr. Jaber Abu-Qahouq
 Associate Professor

Electrical and Computer
 Engineering Department
 University of Alabama

Center for Advanced Vehicle
 Technologies

Center for Materials for
 Information Technologies

Over 100 academic
 publications

4 Patent Applications

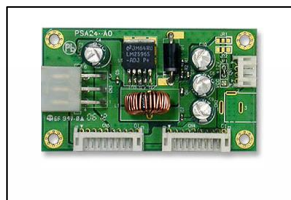
Advantages

- Decreased power consumption
- Less hardware required
- Increased overall performance

Applications



Automotive



Electronic
manufacturers



Renewable
Energies

[For More Information, Click to View YouTube Pitch](#)

THE UNIVERSITY OF
ALABAMA



@uatechtransfer

